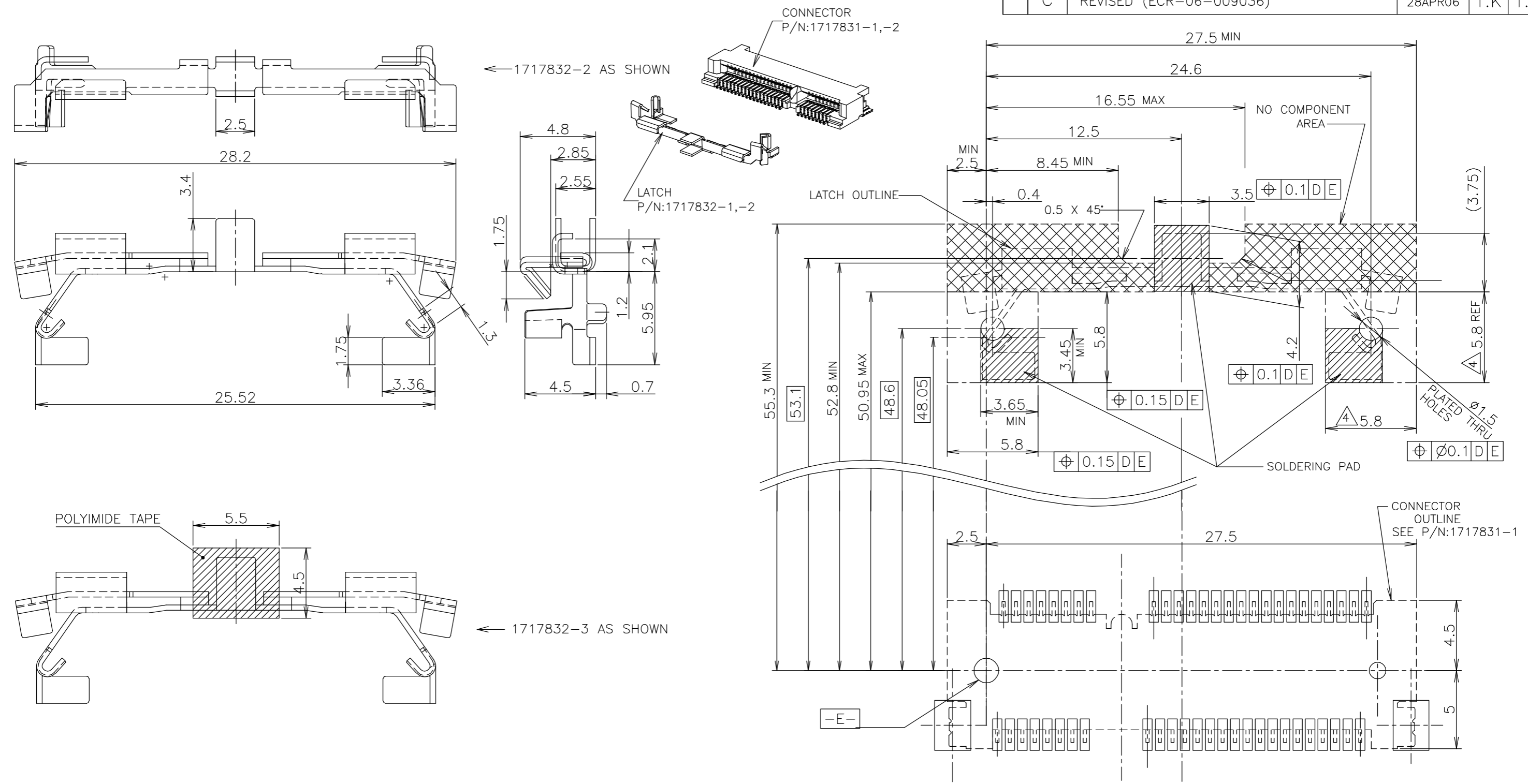


© COPYRIGHT 2003 BY TYCO ELECTRONICS CORPORATION. ALL RIGHTS RESERVED. C REVISED (ECR-06-009036) 28APR06 T.K T.S

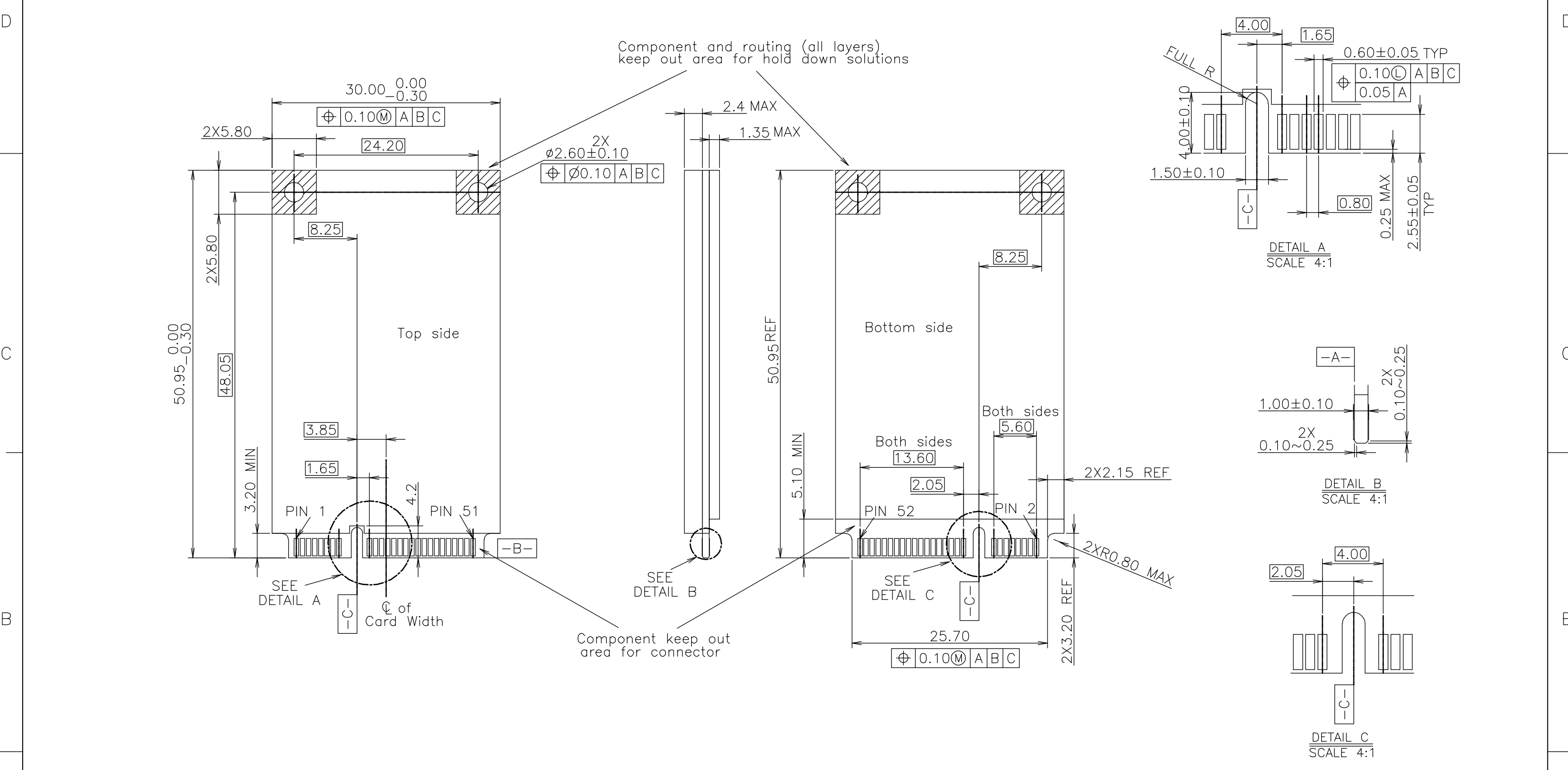


NOTE
 1. MATERIAL : COPPER ALLOY
 2. FINISH : TIN PLATING ALL OVER NICKEL
 3. [D] IS THE TOP SURFACE OF PCB.
 4. COMPONENT KEEP OUT AREA BASED ON MINI PCI EXPRESS SPECIFICATION 1.0 CANDIDATE DRAFT (v1)

TOLERANCES UNLESS OTHERWISE SPECIFIED	
10 ≥	±0.2
30 ≥ > 10	±0.25
100 ≥ > 30	±0.3
ANGLES : ±3°	

THIS DRAWING IS A CONTROLLED DOCUMENT.		DWN J.TANIGAWA 100CT03	Tyco Electronics AMP K.K. Kawasaki, Japan
DIMENSIONS: MM		CHK Y.YAMAMOTO 100CT03	
TOLERANCES UNLESS OTHERWISE SPECIFIED:		APVD Y.YAMAMOTO 100CT03	NAME SEMI HARD TRAY & EMBOSS TAPE SUPPLY MINI PCI EXPRESS CONNECTOR LATCH
		PRODUCT SPEC 108-5899	SIZE A3
MATERIAL SEE NOTE		FINISH SEE NOTE	CAGE CODE 00779
		WEIGHT 0.6g	DRAWING NO C-1717832
		CUSTOMER DRAWING	RESTRICTED TO
		SCALE 4:1	SHEET 1 OF 4
			REV C

LOC	DIST	REVISIONS			
P	LTR	DESCRIPTION	DATE	DWN	APVD
J		SEE SHEET 1	-	-	-

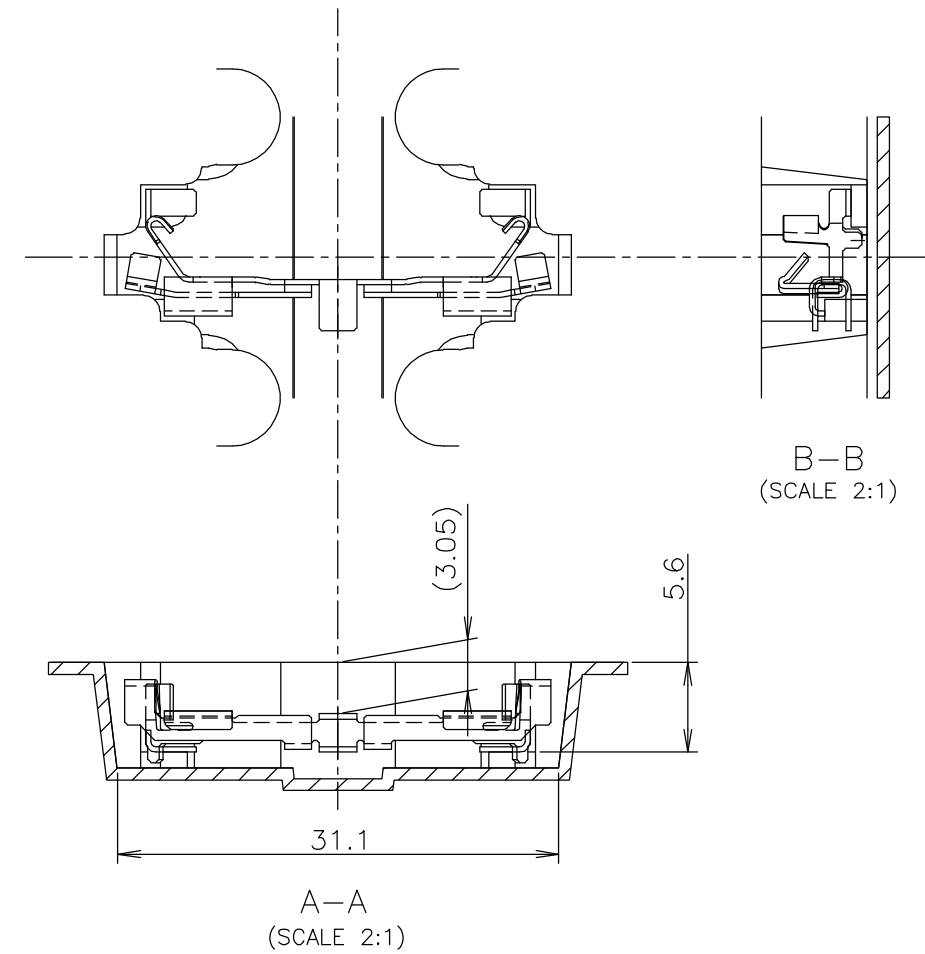
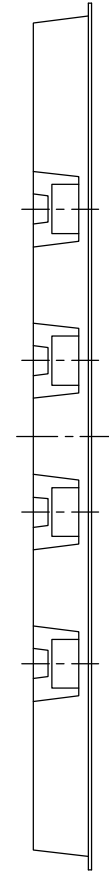
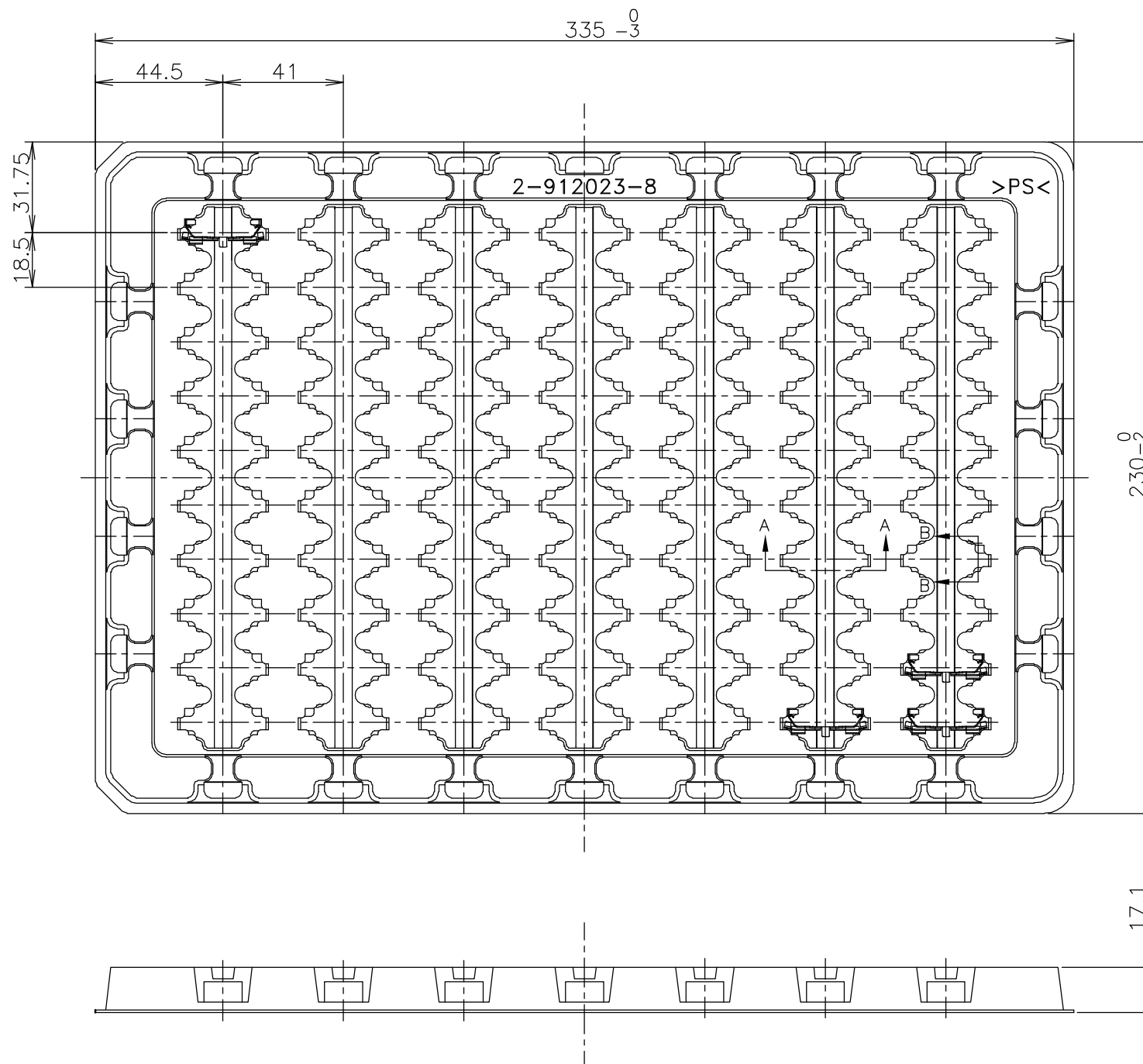


- NOTES
- 1. PCI EXPRESS MINI CARD, PCB THICKNESS 1.0MM.
 - 2. CARD THICKNESS APPLIES ACROSS TABS AND INCLUDES PLATING AND/OR METALIZATION.
 - 3. BEVEL MUST BE FREE OF CUTTING BURRS.

THIS DRAWING IS A CONTROLLED DOCUMENT.		DWN		 Tyco Electronics AMP K.K. Kawasaki, Japan	
DIMENSIONS: MM		CHK			
		APVD		NAME	
TOLERANCES UNLESS OTHERWISE SPECIFIED:		PRODUCT SPEC		SEMI HARD TRAY & EMBOSS TAPE SUPPLY	
0 PLC ±		108-5899		MINI PCI EXPRESS CONNECTOR LATCH	
1 PLC ±		APPLICATION SPEC		SIZE	
2 PLC ±		WEIGHT		CAGE CODE	
3 PLC ±		CUSTOMER DRAWING		DRAWING NO	
4 PLC ±		SCALE 2:1		SHEET 2 OF 4	
ANGLES ±		RESTRICTED TO		REV C	
FINISH		A3		00779	
		G=		1717832	

THIS DRAWING IS UNPUBLISHED. RELEASED FOR PUBLICATION OCT ,2003.
 © COPYRIGHT 2003 BY TYCO ELECTRONICS CORPORATION. ALL RIGHTS RESERVED.

LOC	DIST	REVISIONS			
P	LTR	DESCRIPTION	DATE	DWN	APVD
J	/	SEE SHEET 1	-	-	-



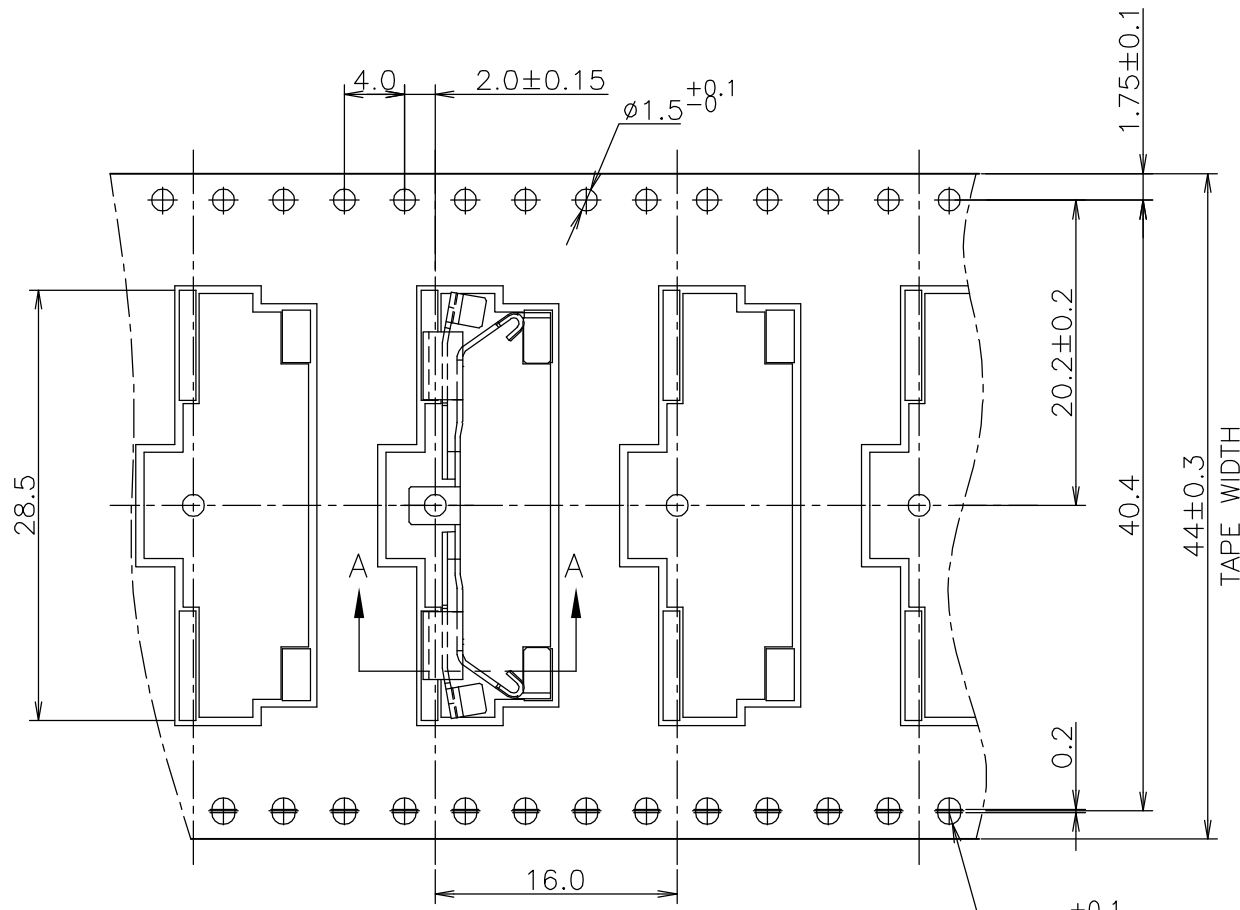
NOTE
 1. THE DIRECTION OF EACH LATCH ON A TRAY IS REFERRED TO THIS DWG.

70EA/TRAY	2-912023-8	1717832-1
QTY	TRAY P/N	P/N

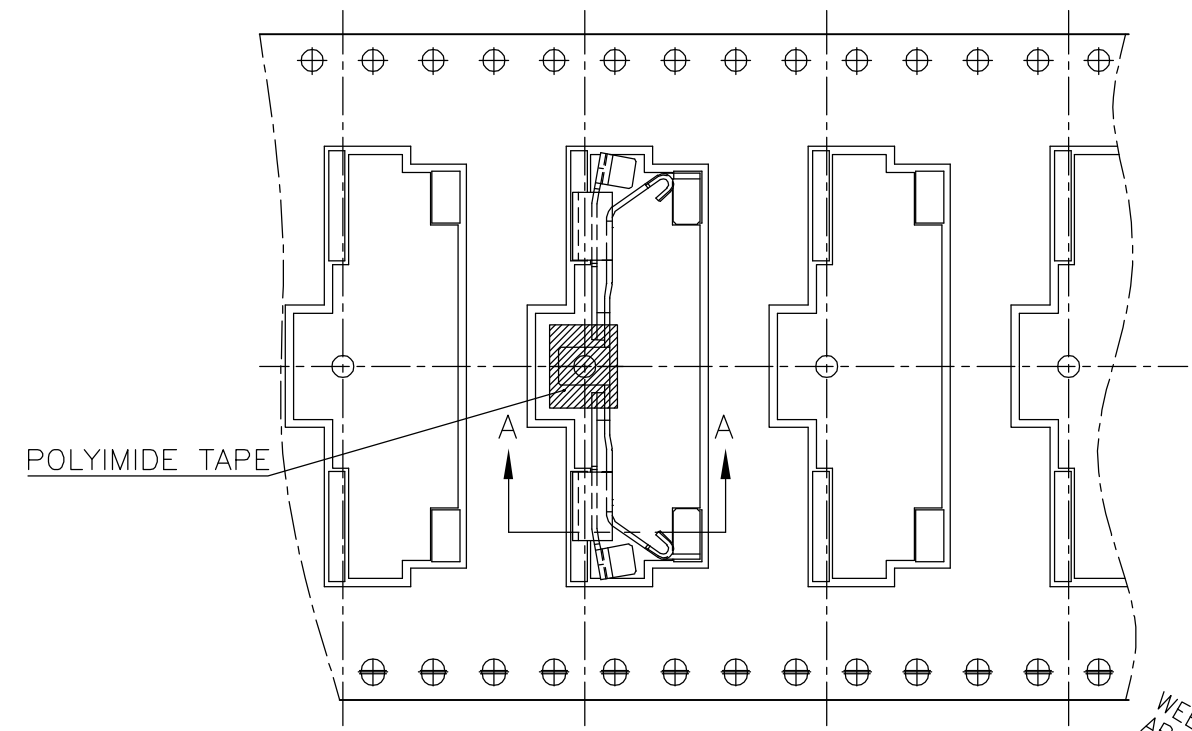
THIS DRAWING IS A CONTROLLED DOCUMENT.		DWN	tyco Tyco Electronics AMP K.K. Kawasaki, Japan	
DIMENSIONS: MM		CHK		
TOLERANCES UNLESS OTHERWISE SPECIFIED:		APVD	NAME	
0 PLC ±		PRODUCT SPEC	SEMI HARD TRAY & EMBOSS TAPE SUPPLY	
1 PLC ±		APPLICATION SPEC	MINI PCI EXPRESS CONNECTOR LATCH	
2 PLC ±		WEIGHT	SIZE	RESTRICTED TO
3 PLC ±		CUSTOMER DRAWING	A3	C-1717832
4 PLC ±		SCALE	00779	
ANGLES ±		SHEET	3	OF
FINISH ±		REV	4	C
TOLERANCES UNLESS OTHERWISE SPECIFIED ±0.5		SCALE NTS		

THIS DRAWING IS UNPUBLISHED. RELEASED FOR PUBLICATION OCT. 2003.
 © COPYRIGHT 2003 BY TYCO ELECTRONICS CORPORATION. ALL RIGHTS RESERVED.

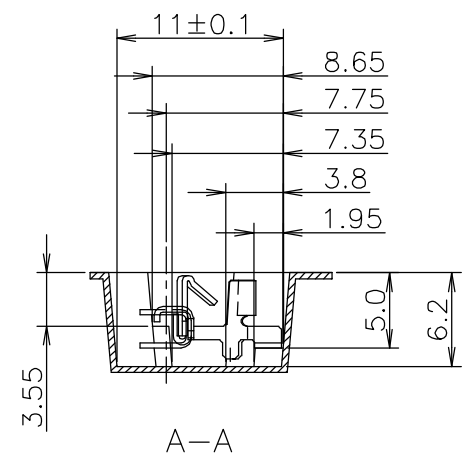
LOC	DIST	REVISIONS			
P	LTR	DESCRIPTION	DATE	DWN	APVD
J		SEE SHEET 1	-	-	-



1717832-2 AS SHOWN

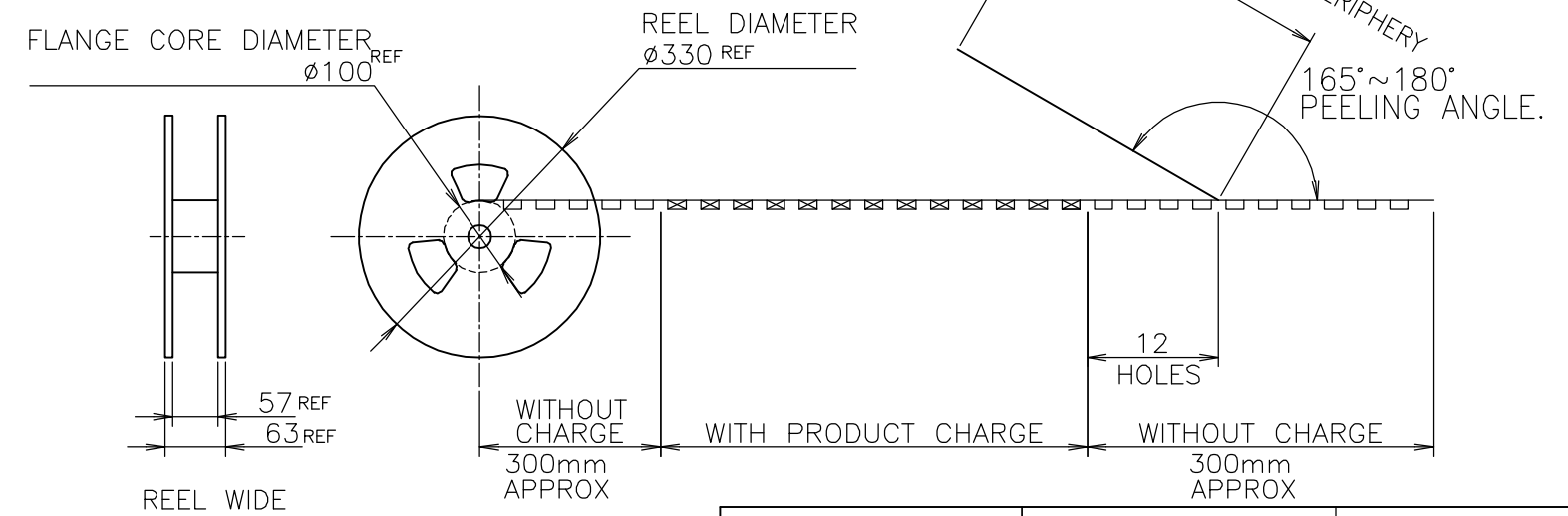


1717832-3 AS SHOWN



A-A

1 PEELING RESISTANCE : 0.1N~1.3N
 (10gf~130gf)
 SPEED : 300mm/min



500EA	6-912103-0	1717832-3
500EA	6-912103-0	1717832-2
QTY/REEL	EMBOSS TAPE P/N	P/N

THIS DRAWING IS A CONTROLLED DOCUMENT.		DWN	Tyco Electronics AMP K.K. Kawasaki, Japan	
DIMENSIONS: MM		CHK		
TOLERANCES UNLESS OTHERWISE SPECIFIED:		APVD	NAME	
0 PLC ± 1 PLC ± 2 PLC ± 3 PLC ± 4 PLC ± ANGLES ± MATERIAL FINISH		PRODUCT SPEC	SEMI HARD TRAY & EMBOSS TAPE SUPPLY	
		APPLICATION SPEC	MINI PCI EXPRESS CONNECTOR LATCH	
		WEIGHT	SIZE	CAGE CODE
		CUSTOMER DRAWING	A3	00779
			DRAWING NO	RESTRICTED TO
			C-1717832	-
			SCALE	SHEET
			2:1	4 OF 4
				REV
				C